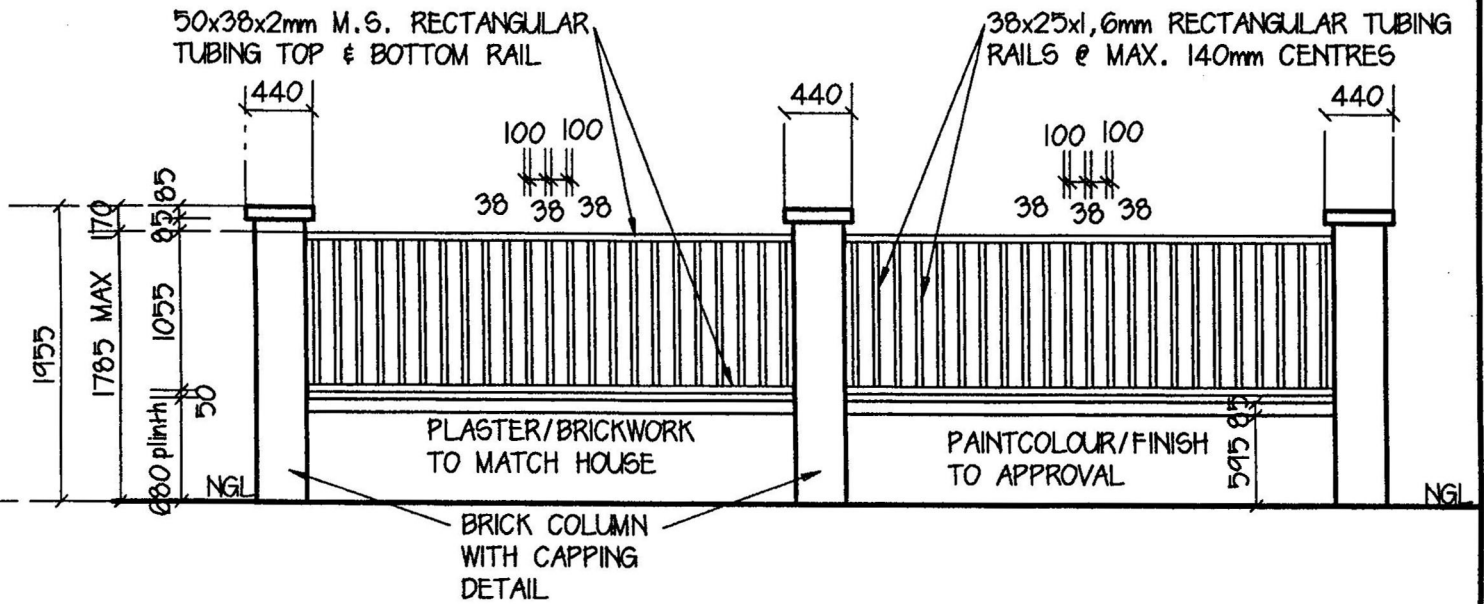


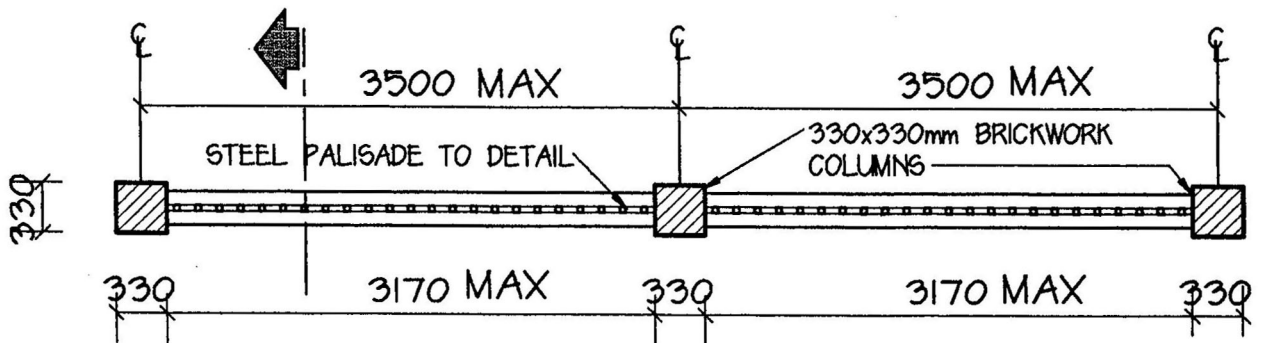
GREEN & OPEN AREA (OPTION 1A)

PALISADE PANEL DETAILS & BOUNDARY WALL MODULES (1785mm HIGH)



ELEVATION

SECTION A-A See drg. / BW2



PLAN

NOTE: PALISADE FENCING TO BE PAINTED
2/BLACK GLOSS ENAMEL PAINT ON
EPOXY UNDERCOAT

BWI