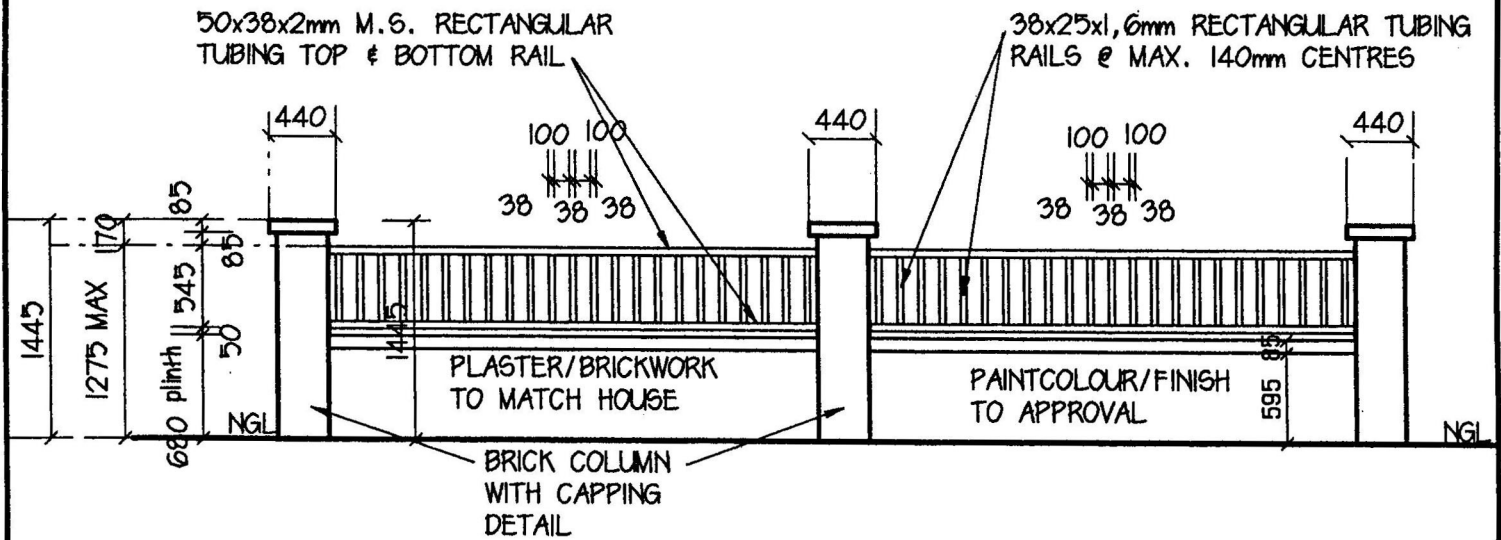


# GREEN & OPEN AREA (OPTION 2A)

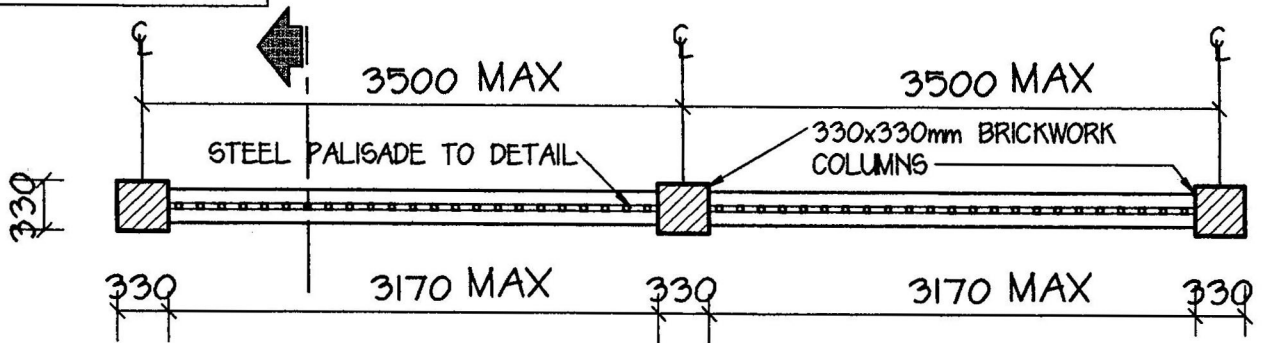
## PALISADE PANEL DETAILS & BOUNDARY WALL MODULES (1275mm HIGH)



ELEVATION

NOTE: PALISADE FENCING TO BE PAINTED 2/BLACK GLOSS ENAMEL PAINT ON EPOXY UNDERCOAT

SECTION B-B See drg. /BW4



PLAN

BW3